



## IMC101B Series

DIN-Rail Mounting

2-port 100M Unmanaged Industrial Media Converter

- Support 1 100M fiber port and 1 100M copper port
- Support 12~48VDC or 100~240VAC/DC device (optional)
- Support -40~75°C wide operating temperature range



Industrial Grade Fanless Design

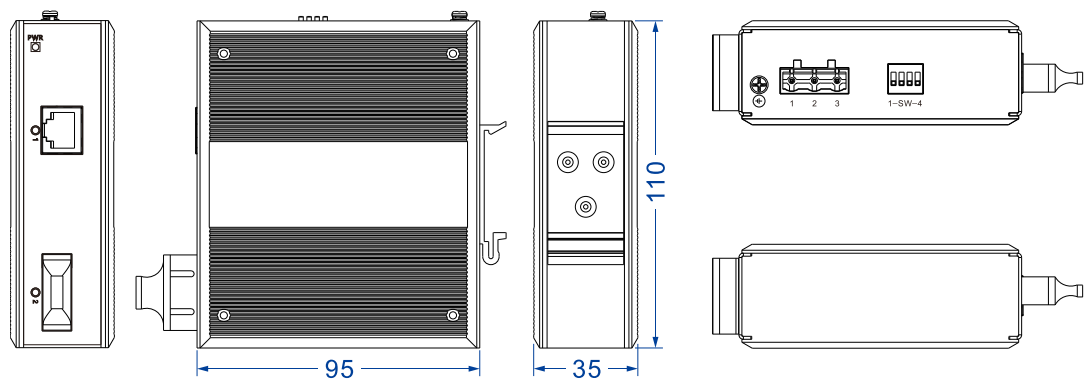
## Introduction

IMC101B series are 2-port 100M unmanaged industrial media converters. This series provide 100M copper ports and 100M fiber ports, support optional 12~48VDC or 100~240VAC/DC power supply. They adopt DIN-Rail mounting to meet the requirements of different application scenes.

DIP switch can implement functions such as flow control and specified port speed. The hardware adopts fanless, low power consumption and wide temperature and voltage design, which has passed rigorous industrial standard tests, and suits for the industrial scene environment with harsh requirements for EMC. It can be widely used in smart grid, railway transportation, smart city, safe city, new energy, intelligent manufacturing and other industrial fields.

## Dimension

Unit:mm



## Specification

<b>Standard &amp; Protocol</b>	IEEE 802.3 for 10Base-T IEEE 802.3u for 100Base-TX and 100Base-FX IEEE 802.3x for Flow Control
<b>Interface</b>	Copper port: 10/100Base-T(X), RJ45, Automatic Flow Control, Full/half Duplex Mode, MDI/MDI-X Autotuning Fiber port: 100Base-FX, optional SC/ST/FC
<b>Indicator</b>	Interface indicator, Power indicator
<b>Switch Property</b>	Transmission mode: store and forward

MAC address: 2K  
 Packet buffer size: 1Mbit  
 Backplane bandwidth: 1.6G  
 Switch time delay: <10μs

Power supply	IMC101B-1F-P(12~48VDC)		
	<ul style="list-style-type: none"> <li>● Voltage range: 12~48VDC.</li> <li>● Connection mode: 3-pin 7.62mm pitch terminal blocks</li> <li>● Power protection: support anti-reverse connection</li> </ul>		
Power supply	IMC101B-1F-P(100~240VAC)		
	<ul style="list-style-type: none"> <li>● Power supply range: 100~240VAC/DC.</li> <li>● Connection mode: 3-pin 7.62mm pitch terminal blocks</li> </ul>		
Power consumption	<b>Available Models</b>	<b>No-load</b>	<b>Full-load</b>
	IMC101B-1F-P(12~48VDC)	1.6W@24VDC	2.0W@24VDC
	IMC101B-1F-P(100~240VAC)	1.6W@220VAC	2.0W@220VAC
Working environment	Operating temperature: -40~75℃		
	Storage temperature: -40~85℃		
	Relative humidity: 5%~95% (no condensation)		
Physical Characteristic	Housing: IP40 protection, metal		
	Installation: DIN-Rail mounting		
	Dimension (W x H x D): 35mm×110mm×95mm		
	Weight: 340g		
Industrial Standard	IEC 61000-4-2 (ESD, electrostatic discharge), Level 3		
	IEC 61000-4-4 (EFT, electrical fast transient pulses), Level 3		
	IEC 61000-4-5 (Surge), Level 3		
	Shock: IEC 60068-2-27		
	Free fall: IEC 60068-2-32		
Industrial Standard	Vibration: IEC 60068-2-6		
	Certification	CE, FCC, RoHS	
Warranty	5 years		

## Ordering Information

Available Models	100M fiber port	100M copper port	Power supply
IMC101B-1F-P(12~48VDC)	1	1	12~48VDC
IMC101B-1F-P(100~240VAC)	1	1	100~240VAC/DC



Address: 3/B, Zone 1, Baiwangxin High Technology Industrial Park, Song Bai Road, Nanshan District, Shenzhen, 518108, China

TEL.: +86-755-26702668 ext 835 FAX: +86-755-26703485

E-mail: [ics@3onedata.com](mailto:ics@3onedata.com)

Website: [www.3onedata.com](http://www.3onedata.com)

◀ Please scan our QR code for more details

\*Product pictures and technical data in this datasheet are only for reference. Updates are subject to change without prior notice. The final interpretation right is reserved by 3onedata.