

**SW(B)X825DI-X42 Series****1-port Gigabit Ethernet SFP modules****Industrial 1.25Gb/s SFP Optical Transceiver Module****Features**

- Support IEEE802.3ae, SFF-8431 Standard
- Transmission rate is 1.25Gb/s
- Hot pluggable LC duplex connector
- Working voltage is 3.3V
- RoHS compliant; Support DDM Function
- Working temperature -40~85°C

**Specification****Interface**

Connectors: Duplex LC Connector

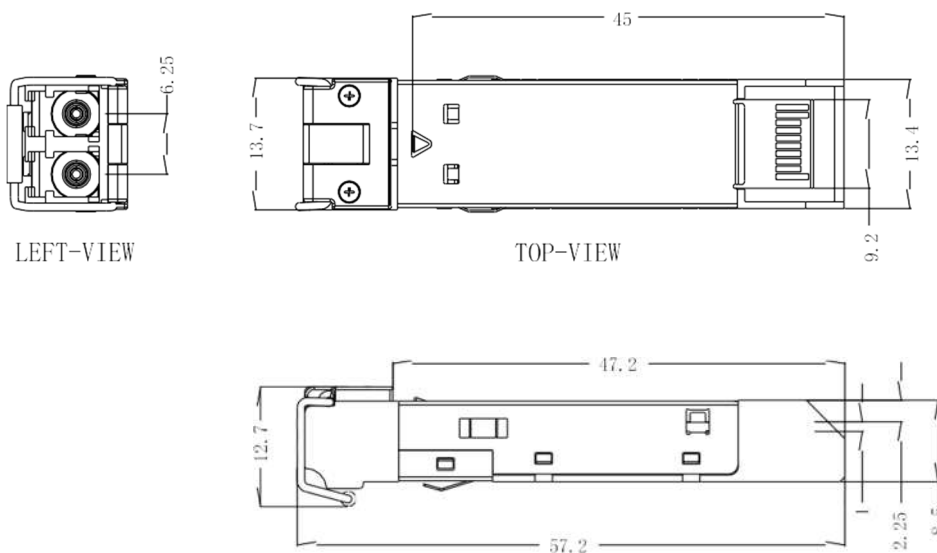
Support DDM Function

**Mechanical Structure**

Size (W×H×D): 13.7mm×12.7mm×57.2mm Certification

CE、FDA、C-TICK

**Warranty:** 1 years

**Dimension (Unit: mm)**

## Ordering Information

Model	Type	Rate	Wavelength (nm)	Distance (km)	TX Power (dbm)	RX Sens (dbm)	Voltage (V)	Connector	Signal
SW2825DI-142	MM	1.25Gb/s	1310	2	-9~-3	-20	3.3	LC	LVPECL
SW3825DI-442	SM	1.25Gb/s	1310	20	-6 ~ -1	-21	3.3	LC	LVPECL
SW3825DI-542	SM	1.25Gb/s	1310	40	-2 ~ 3	-24	3.3	LC	LVPECL
SW4825DI-542	SM	1.25Gb/s	1550	40	-1 ~ 7	-24	3.3	LC	LVPECL
SW4825DI-742	SM	1.25Gb/s	1550	80	-3 ~ 2	-26	3.3	LC	LVPECL
SWB3825DI-442	SS	1.25Gb/s	TX1310/RX1550	20	-9 ~ -1	-23	3.3	LC	LVPECL
SWB4825DI-442	SS	1.25Gb/s	TX1550/RX1310	20	-9 ~ -1	-23	3.3	LC	LVPECL
SWB5825DI-542	SS	1.25Gb/s	TX1490/RX1550	40	-7 ~ -1	-24	3.3	LC	LVPECL
SWB4825DI-542	SS	1.25Gb/s	TX1550/RX1490	40	-7 ~ -1	-24	3.3	LC	LVPECL
SWB5825DI-642	SS	1.25Gb/s	TX1490/RX1550	60	-5~ 0	-24	3.3	LC	LVPECL
SWB4825DI-642	SS	1.25Gb/s	TX1550/RX1490	60	-5 ~ 0	-24	3.3	LC	LVPECL
SWB5825DI-742	SS	1.25Gb/s	TX1490/RX1550	80	-3 ~ 2	-26	3.3	LC	LVPECL
SWB4825DI-742	SS	1.25Gb/s	TX1550/RX1490	80	-3 ~ 2	-26	3.3	LC	LVPECL